

TRUCHILL – UNDER COUNTER CRESCENT ICE MACHINES

- Stainless steel and food grade ABS body construction for durability and anti-corrosion.
- Storage bin Interior with radius corners for hygiene and ease of cleaning.
- Precision injection with high density polyurethane insulation. Provides excellent thermal efficiency with low GWP and zero ODP.
- Tropicalised condensing unit. Guaranteed operation up to +43°C ambient.
- Fast cooling technology with efficient cooled system to increase 15% higher capacity than other similar machines.
- Slide-in air filter for easy cleaning.
- Advanced noise reduction technology reduces more than 15% vs similar machines.
- HACCP compliant automatic smart electronic control panel for excellent performance.



CONSTRUCTION & FEATURES

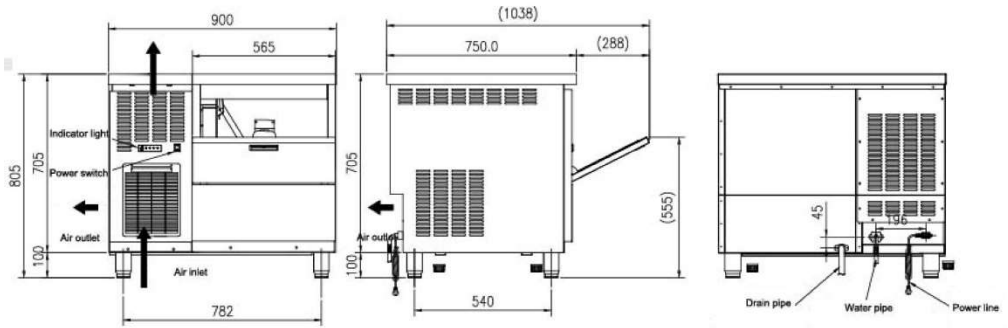
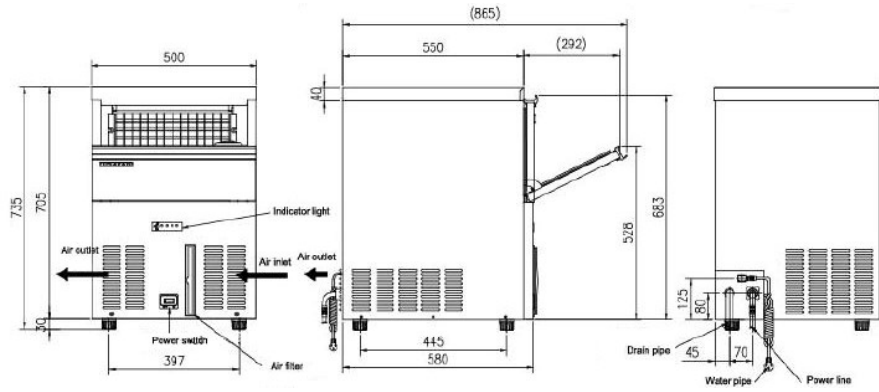
UNDER COUNTER SERIES

		
Model:	UCR-50	UCR-90
Ice Making Capacity:	50kg/24h	90kg/24h
Ice Storage:	15kg	50kg
Ice Type	Ice Crescent	Ice Crescent
Ice Size	30 x 13 x 38mm	30 x 13 x 38mm
Power Consumption (W)	500W	660W
Refrigerant	R404a	R404a
Voltage	220V/1Ph/50Hz	220V/1Ph/50Hz
Dimension (mm)	500 x 580 x 735mmH	900 x 750 x 805mmH

SPECIFICATIONS

TRUTEC PTE. LTD

470 North Bridge Road, #5-12 Bugis Cube, Singapore (188735)
 m: +65-8347-0768 - e: sales@trutec.sg - w: www.trutec.sg



TRUPEC PTE. LTD

470 North Bridge Road, #5-12 Bugis Cube, Singapore (188735)
 m: +65-8347-0768 - e: sales@trutech.sg - w: www.trutech.sg