

## TRUCHILL – UNDER COUNTER CUBE ICE MACHINES

- Stainless steel and food grade ABS body construction for durability and anti-corrosion.
- Storage bin Interior with radius corners for hygiene and ease of cleaning.
- Precision injection with high density polyurethane insulation. Provides excellent thermal efficiency with low GWP and zero ODP.
- Tropicalised condensing unit. Guaranteed operation up to +43°C ambient.
- Fast cooling technology with efficient cooled system to increase 15% higher capacity than other similar machines.
- Slide-in air filter for easy cleaning.
- Advanced noise reduction technology reduces more than 15% vs similar machines.
- HACCP compliant automatic smart electronic control panel for excellent performance.



CONSTRUCTION & FEATURES

### UNDER COUNTER SERIES

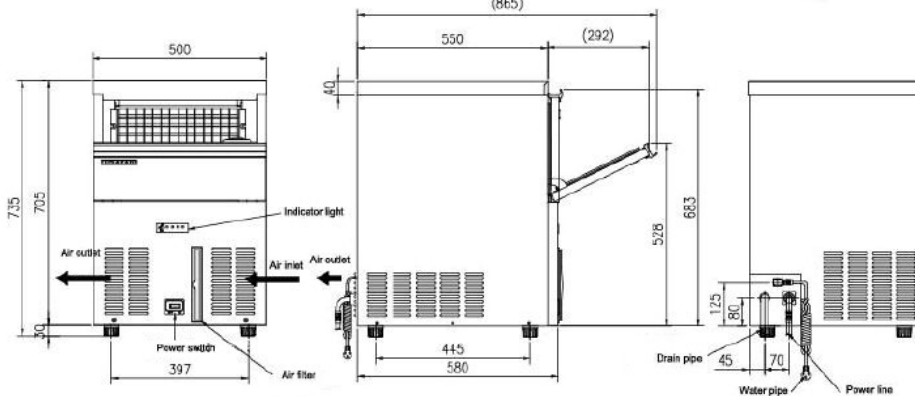
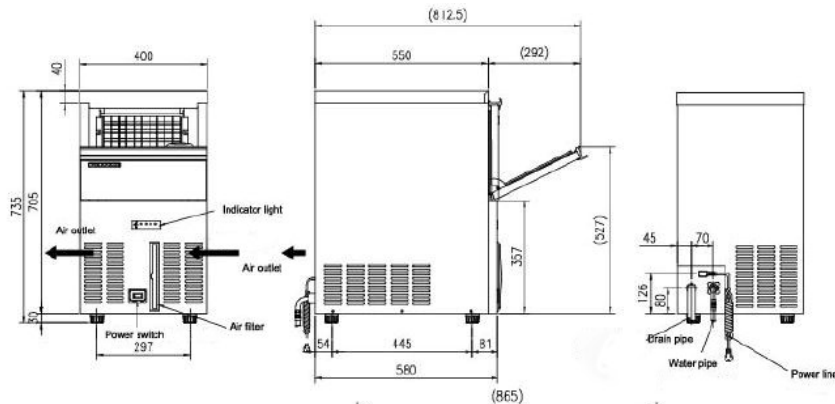
|                       |  |  |  |  |
|-----------------------|---|---|--|---|
| Model:                | UC35  | UC55  | UC70   | UC90  |
| Ice Making Capacity:  | 35kg/24h  | 55kg/24h  | 70kg/24h   | 95kg/24h  |
| Ice Storage:          | 8kg   | 15kg  | 30kg   | 30kg  |
| Ice Type              | Ice Cube  | Ice Cube  | Ice Cube   | Ice Cube  |
| Ice Size              | 23 x 23 x 23mm  | 23 x 23 x 23mm<br>13 28 x 23mm<br>28 x 28 x 23mm                                    | 23 x 23 x 23mm<br>13 x 28 x 23mm<br>28 x 28 x 23mm                                   | 23 x 23 x 23mm  |
| Power Consumption (W) | 480W  | 500W  | 620W   | 660W  |
| Refrigerant           | R404a   | R404a   | R404a  | R404a   |
| Voltage               | 220V/1Ph/50Hz   | 220V/1Ph/50Hz   | 220V/1Ph/50Hz  | 220V/1Ph/50Hz   |
| Dimension (mm)        | 400x580x735mmH  | 500x580x735mmH  | 700x580x805mmH   | 700x580x805mmH  |

SPECIFICATIONS

### TRUTEC PTE. LTD

470 North Bridge Road, #5-12 Bugis Cube, Singapore (188735)  
 m: +65-8347-0768 - e: [sales@trutec.sg](mailto:sales@trutec.sg) - w: [www.trutec.sg](http://www.trutec.sg)

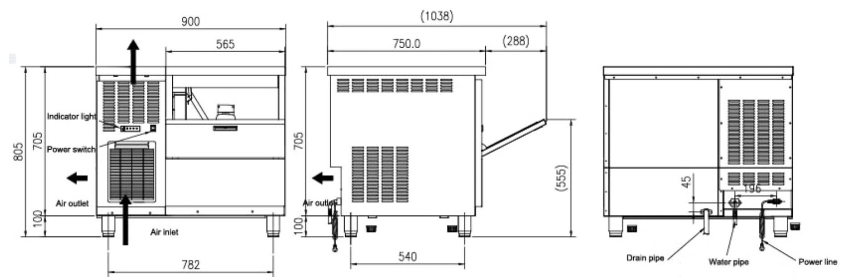
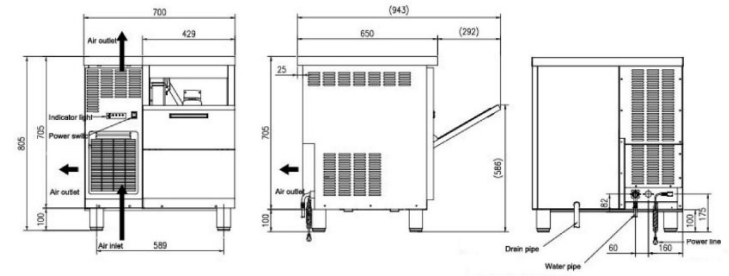
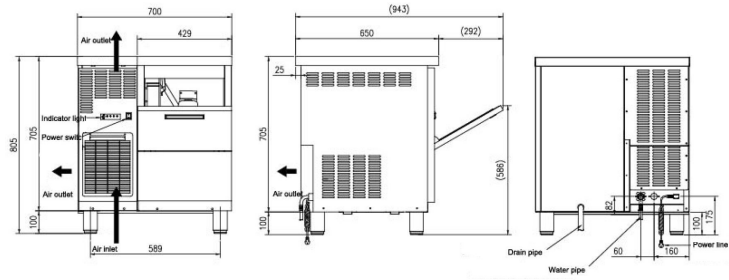
|                       |   |  |   |                       |
|-----------------------|---|--|---|-----------------------|
|                       |  |  |  | <b>SPECIFICATIONS</b> |
| Model:                | UC125   | UC200  | UC300   |                       |
| Ice Making Capacity:  | 125kg/24h   | 200kg/24h  | 300kg/24h   |                       |
| Ice Storage:          | 50kg  | 70kg   | 100kg   |                       |
| Ice Type              | Ice Cube  | Ice Cube   | Ice Cube  |                       |
| Ice Size              | 23 x 23 x 23mm<br>13 x 28 x 23mm  | 23 x 23 x 23mm   | 23 x 23 x 23mm<br>13 x 28 x 23mm  |                       |
| Power Consumption (W) | 790W  | 960W   | 1300W   |                       |
| Refrigerant           | R404a   | R404a  | R404a   |                       |
| Voltage               | 220V/1Ph/50Hz   | 220V/1Ph/50Hz  | 220V/1Ph/50Hz   |                       |
| Dimension (mm)        | 900 x 750 x 805mmH  | 1200 x 650 x 805mmH  | 1500 x 750 x 805mmH   |                       |

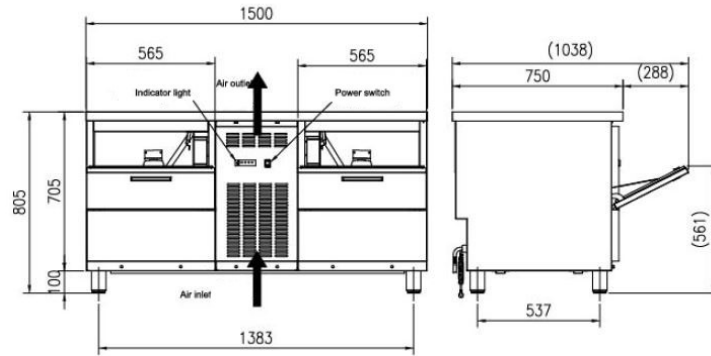
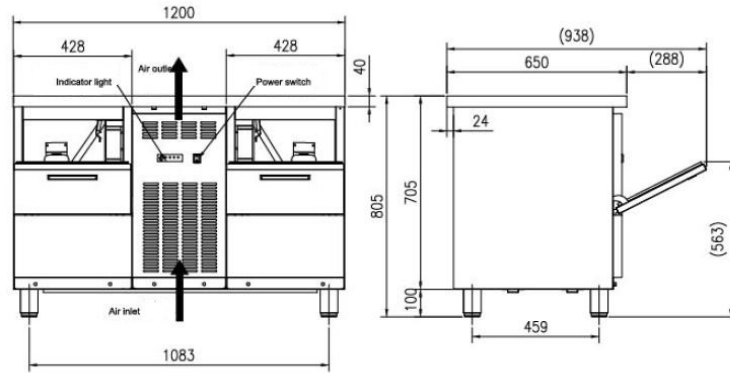


**TECHNICAL DRAWINGS**

**TRUTECH PTE. LTD**

470 North Bridge Road, #5-12 Bugis Cube, Singapore (188735)  
 m: +65-8347-0768 - e: [sales@trutech.sg](mailto:sales@trutech.sg) - w: [www.trutech.sg](http://www.trutech.sg)





**TRUPEC PTE. LTD**

470 North Bridge Road, #5-12 Bugis Cube, Singapore (188735)  
 m: +65-8347-0768 - e: [sales@trutech.sg](mailto:sales@trutech.sg) - w: [www.trutech.sg](http://www.trutech.sg)