

## GAS DIMSUM & ROLL RICE STEAMER

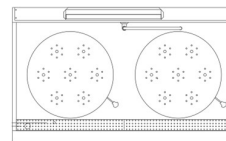
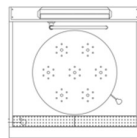
- SUS#304 stainless steel water tank.
- Water tank with fire tubes structure enlarges the heating area, thermal efficiency > 85%, saving energy up to 20% than a general steamer.
- The same number of fire tubes as main burner, even heat distribution, highly durable.
- Complete combustion of the gas, reduce harmful substances such as monoxide and nitrogen oxides, the emission of carbon monoxide in gas fumes < 0.01%.
- Combustion noise < 65dB.
- Main burner controlled by two main burner valve, selectable firepower, three kinds of steam mode: fast steam mode, slow steam mode, warming mode.
- $\Phi 1\text{-}1/2\text{'}$  drainage valve on the water tank, handle is in front of the panel.
- Pressure balance to the guarantees water level reached in the water box from the water tank.
- Electronic pilot ignition, one-button operation, cost down for no blower in this smart and heavy-duty steamer.
- Facilitated with low water level protection prevents dry heating.



- Pilot flame with flame failure safety gas valve, as will be cut off in 1 second once the air or gas is supplying abnormally, or an unexpected flame failure appears, prevent the explosion accident.
- A water-level observation window and over-temperature protection reset button.
- Installation required power supply 220V/50Hz/0.25kW of the environmental steam cabinet.
- Required to install the water softener for hard water areas.

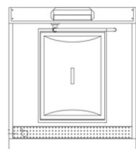
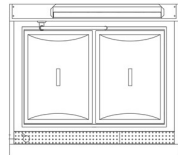
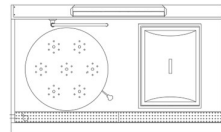
CONSTRUCTION & FEATURES

### DIMSUM STEAMER SERIES 900MM

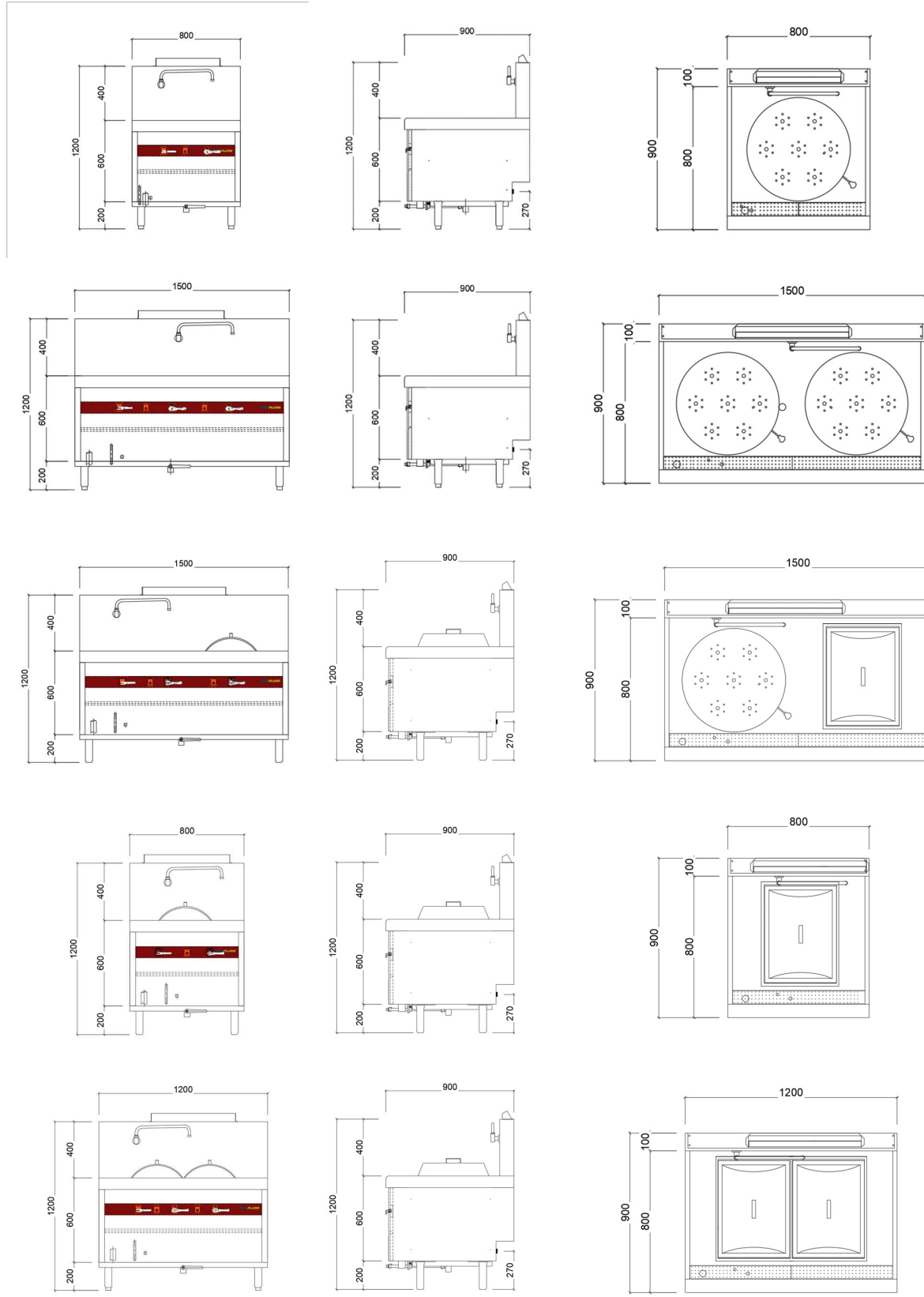


Model	TFA-S90DS1	TFA-S90DS1	
Dimension (mm)	800 x 900 x 1200H	1500 x 900 x 1200H	
Heat Load (kW)	42kW	56kW	
Voltage	220V/50Hz, 1P	220V/50Hz, 1P	

### Combined 1 Dimsum & 1 Roll Rice Steamer

<b>ROLL RICE STEAMER SERIES 900MM</b>				
	Model	TFA-S90RS1	TFA-S90RS2	TFA-S90DRS2
	Dimension (mm)	800 x 900 x 1200H	1000 x 900 x 1200H	1500 x 900 x 1200H
	Heat Load (kW)	42kW	48kW	56kW
Voltage	220V/50Hz, 1P	220V/50Hz, 1P	220V/50Hz, 1P	

SPECIFICATIONS



TECHNICAL DRAWINGS