

TRUCHILL – CUBE ICE MACHINES

- Stainless steel and food grade ABS body construction for durability and anti-corrosion.
- Storage bin Interior with radius corners for hygiene and ease of cleaning.
- Precision injection with high density polyurethane insulation. Provides excellent thermal efficiency with low GWP and zero ODP.
- Tropicalised condensing unit. Guaranteed operation up to +43°C ambient.
- Fast cooling technology with efficient cooled system to increase 15% higher capacity than other similar machines.
- Slide-in air filter for easy cleaning.
- Advanced noise reduction technology reduces more than 15% vs similar machines.
- HACCP compliant automatic smart electronic control panel for excellent performance.



CONSTRUCTION & FEATURES

COUNTER SERIES

				
Model:	AC-25	AC-25	AC-55	AC-95
Ice Making Capacity:	25kg/24h	36kg/24h	55kg/24h	95kg/24h
Ice Storage:	8kg	10kg	20kg	35kg
Ice Type	Ice Cube	Ice Cube	Ice Cube	Ice Cube
Ice Size	23 x 23 x 23mm	23 x 23 x 23mm	23 x 23 x 23mm 13 x 28 x 23mm 28 x 28 x 23mm	23 x 23 x 23mm 13 x 28 x 23mm 28 x 28 x 23mm
Power Consumption (W)	400W	480W	500W	660W
Refrigerant	R404a	R404a	R404a	R404a
Voltage	220V/1Ph/50Hz	220V/1Ph/50Hz	220V/1Ph/50Hz	220V/1Ph/50Hz
Water Inlet	Ø26	Ø26	Ø26	Ø26
Condensate Drainage	Ø26	Ø26	Ø26	Ø26

SPECIFICATIONS

TRUTEC PTE. LTD

470 North Bridge Road, #5-12 Bugis Cube, Singapore (188735)
 m: +65-8347-0768 - e: sales@trutec.sg - w: www.trutec.sg

Dimension (mm)	430*530*730mmH	430*530*790mmH	530*570*820mmH	680*670*930mmH
----------------	----------------	----------------	----------------	----------------

				
Model:	AC-160	AC-180	AC-220	AC-270
Ice Making Capacity:	160kg/24h	180kg/24h	220kg/24h	270kg/24h
Ice Storage:	80kg	160kg	160kg	250kg
Ice Type	Ice Cube	Ice Cube	Ice Cube	Ice Cube
Ice Size	23 x 23 x 23mm 13 x 28 x 23mm	23 x 23 x 23mm 13 x 28 x 23mm 28 x 28 x 23mm	23 x 23 x 23mm	23 x 23 x 23mm 13 x 28 x 23mm 28 x 28 x 23mm
Power Consumption (W)	780W	900W	1000W	1500W
Refrigerant	R404a	R404a	R404a	R404a
Voltage	220V/1Ph/50Hz	220V/1Ph/50Hz	220V/1Ph/50Hz	220V/1Ph/50Hz
Water Inlet	Ø26	Ø26	Ø26	Ø26
Condensate Drainage	Ø26	Ø26	Ø26	Ø26
Dimension (mm)	700x750x1245mmH	560x860x1725mmH	560x860x1805mmH	760x860x1725mmH

SPECIFICATIONS

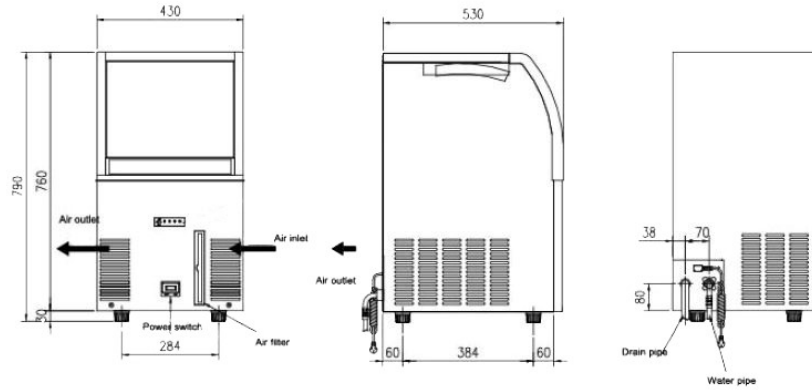
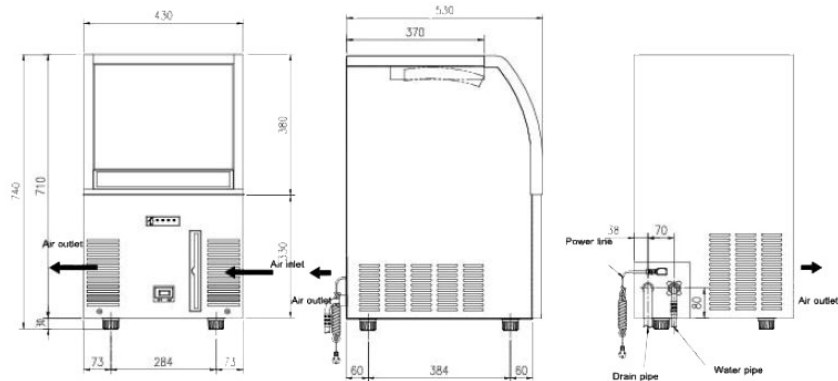
				
Model:	AC-320	AC-455	AC-655	AC-855
Ice Making Capacity:	320kg/24h	455kg/24h	655kg/24h	855kg/24h
Ice Storage:	250kg	250kg	400kg	400kg
Ice Type	Ice Cube	Ice Cube	Ice Cube	Ice Cube
Ice Size	23 x 23 x 23mm	23 x 23 x 23mm 13 x 28 x 23mm 28 x 28 x 23mm	23 x 23 x 23mm	23 x 23 x 23mm 13 x 28 x 23mm 28 x 28 x 23mm
Power Consumption (W)	1650W	2000W	2600W	3200W
Refrigerant	R404a	R404a	R404a	R404a
Voltage	220V/1Ph/50Hz	220V/1Ph/50Hz	220V/1Ph/50Hz	380V/3Ph/50Hz
Water Inlet	Ø26	Ø26	Ø26	Ø26
Condensate Drainage	Ø26	Ø26	Ø26	Ø26

SPECIFICATIONS

TRUPEC PTE. LTD

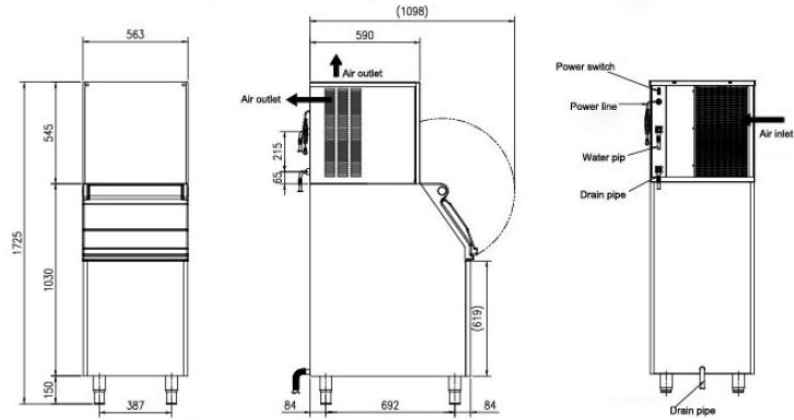
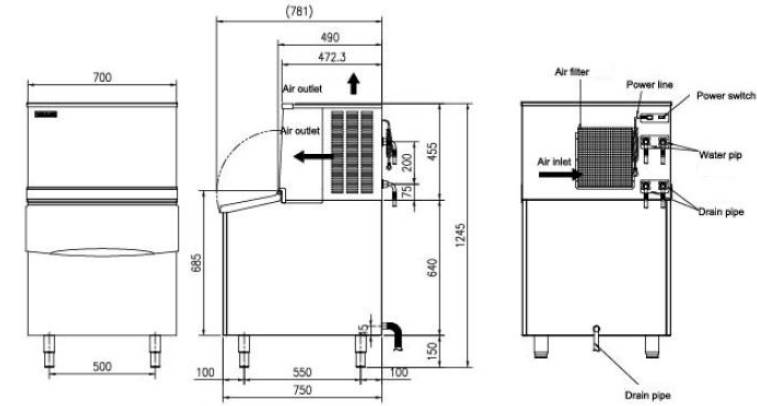
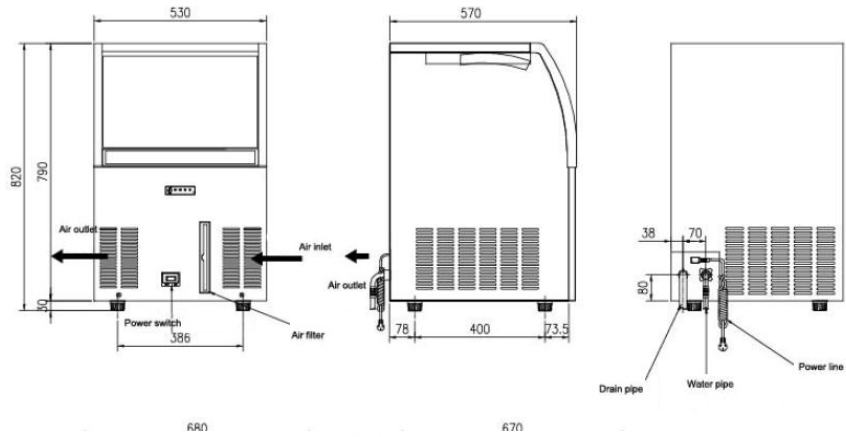
470 North Bridge Road, #5-12 Bugis Cube, Singapore (188735)
 m: +65-8347-0768 - e: sales@trutech.sg - w: www.trutech.sg

Dimension (mm)	760*860*1805mmH	760*860*1905mmH	1220*860*1905mmH	1220*860*1905mmH
----------------	-----------------	-----------------	------------------	------------------



TRUPEC PTE. LTD

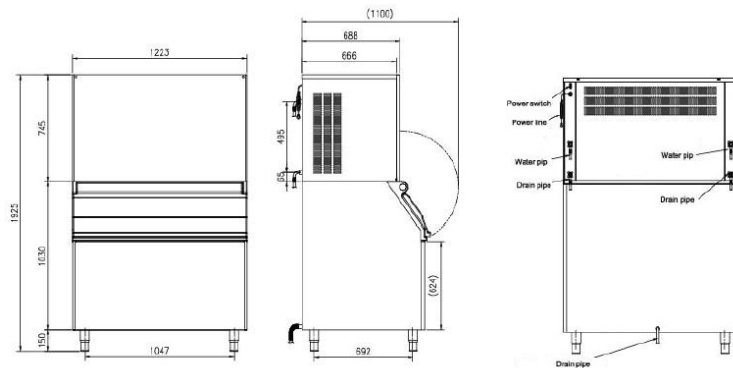
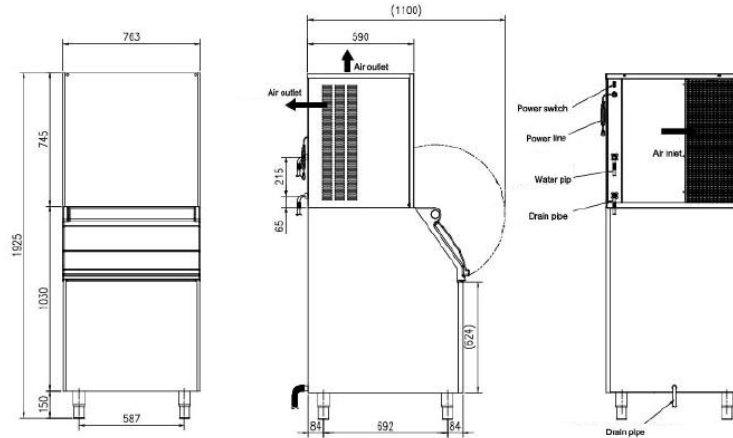
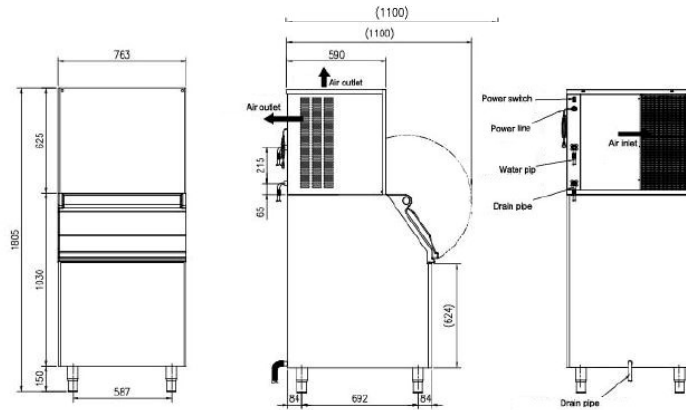
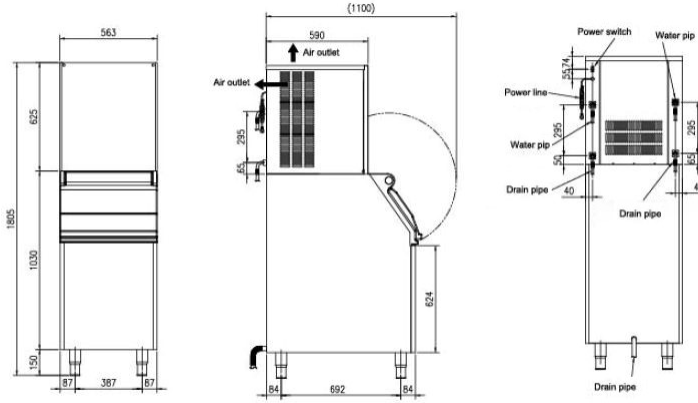
470 North Bridge Road, #5-12 Bugis Cube, Singapore (188735)
 m: +65-8347-0768 - e: sales@trutech.sg - w: www.trutech.sg



TECHNICAL DRAWINGS

TRUTECH PTE. LTD

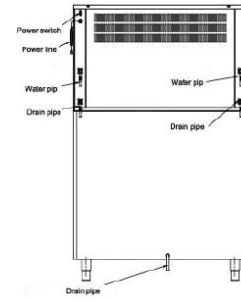
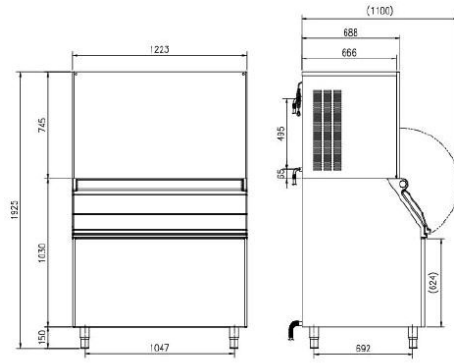
470 North Bridge Road, #5-12 Bugis Cube, Singapore (188735)
 m: +65-8347-0768 - e: sales@trutech.sg - w: www.trutech.sg



TECHNICAL DRAWINGS

TRUTECH PTE. LTD

470 North Bridge Road, #5-12 Bugis Cube, Singapore (188735)
 m: +65-8347-0768 - e: sales@trutech.sg - w: www.trutech.sg



TECHNICAL DRAWINGS